

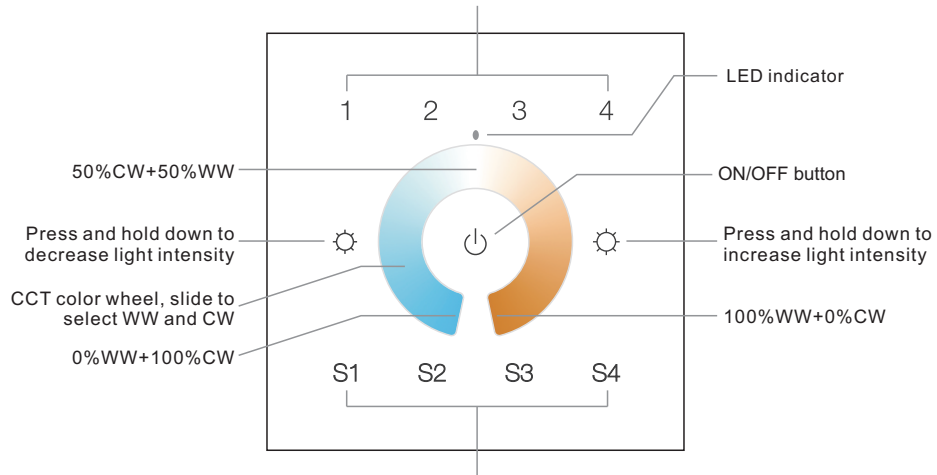
DALI Dual Color Touch Controller

09.230TC6.04067

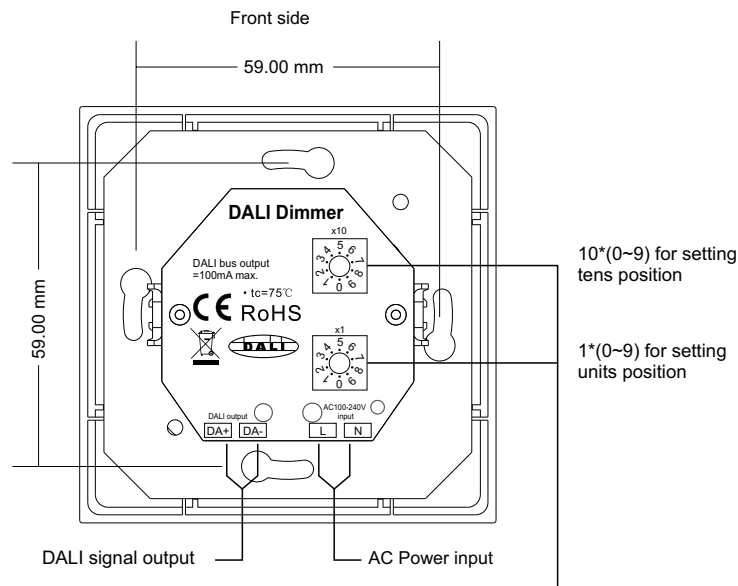
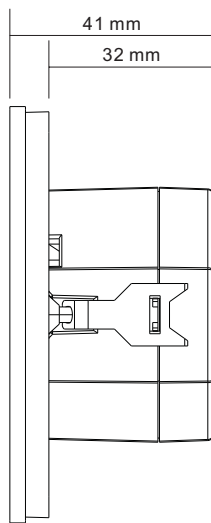
Important: Read All Instructions Prior to Installation

Function introduction

4 Groups, click to select, press and hold down to turn ON/OFF



Scene button, press and hold down to save a scene, click to recall, the saved scene will cover the predefined one



Rotary switches for setting start DALI address number (0-63), the number equals to tens position plus units position

Back side

Product Data

Output	DALI signal
Power Supply	100-240VAC/DALI bus
Operation Current	<15 mA
DALI consumption	4 mA
Operating temperature	0-40°C
Relative humidity	8% to 80%
Dimensions	86x86x41mm
Waterproof grade	IP20

- Touch sensitive.
- Glass interface(white & black).
- Comply to DALI standard protocol IEC 62386-102, IEC 62386-207 and in compliance with DALI products from other international incorporation.
- Built-in 100mA DALI power supply to power up to max. 50 DALI ECGs
- Powered by DALI bus while not connected to AC mains
- Max. 100 DALI ECGs on a DALI line can be controlled by 4 control panels (2 by AC mains, 2 by DALI bus)
- 4 light zones are available for switch, dimming and CCT color control, each zone can control 4 DALI addresses.
- Enable to set start DALI address number (0-63) for the 4 zones by rotary switches on the back.
- Built-in 10 Color Sequences

Safety & Warnings

- DO NOT install with power applied to device.
- DO NOT expose the device to moisture.

Operation

Set start DALI address number for the zones by rotary switches on the back:

Set the number as X (0-63):

Zone number Z1 will control DALI addresses X and X+1,

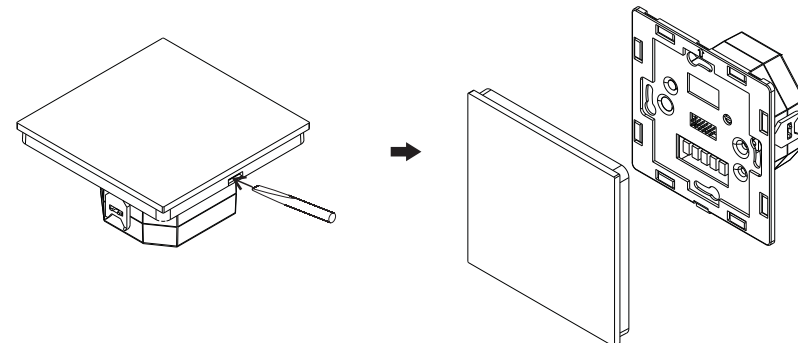
Zone number Z2 will control DALI addresses X+2 and X+3,

Zone number Z3 will control DALI addresses X+4 and X+5,

Zone number Z4 will control DALI addresses X+6 and X+7,

Note: if X is set as 63, zone 1 will control DALI address 63 and 00, zone 2 will control address 01 and 02, zone 3 will control address 03 and 04, zone 4 will control address 05 and 06.

Installation



Wiring diagram

Figure 1: Wiring scheme to control up to 50 DALI ECG or control 4 DALI addresses.

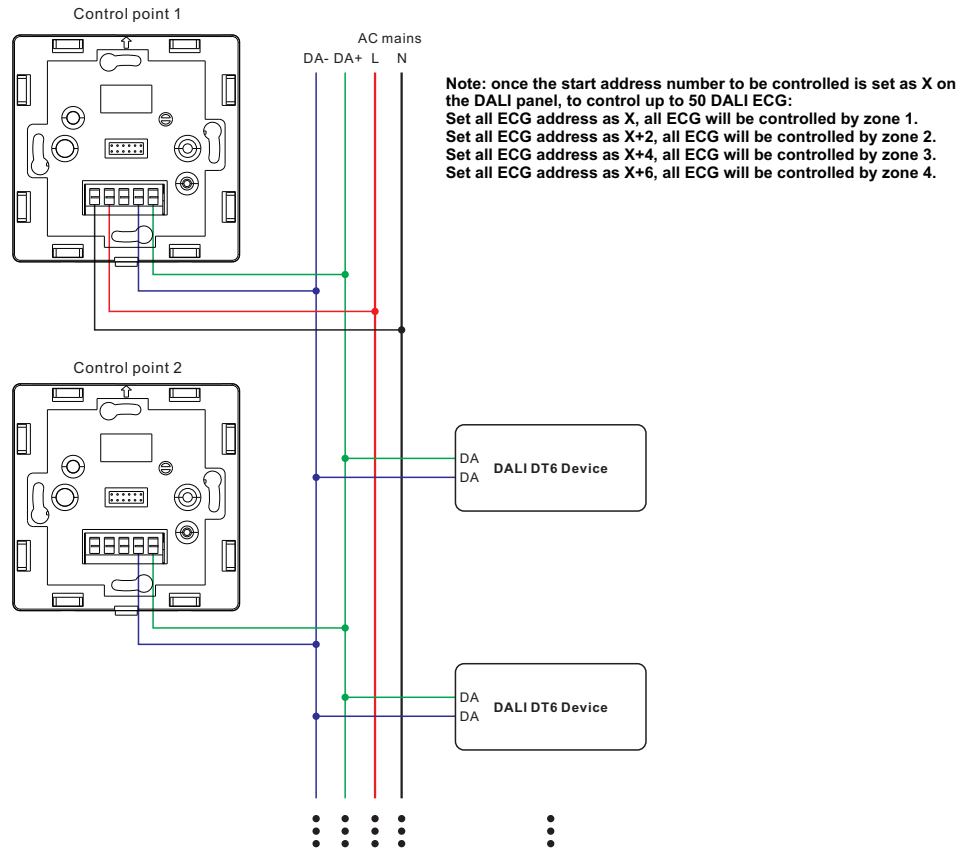


Figure 2: Wiring scheme with 2 DALI panels powered by AC mains to control up to 100 DALI ECG or control 4 DALI addresses.

